

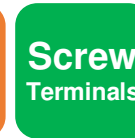
Rollerball-Type Recessed-Mount Contact

SM-4303-TQ/W

Rollerball, Closed Loop, Screw Terminals, White

Features:

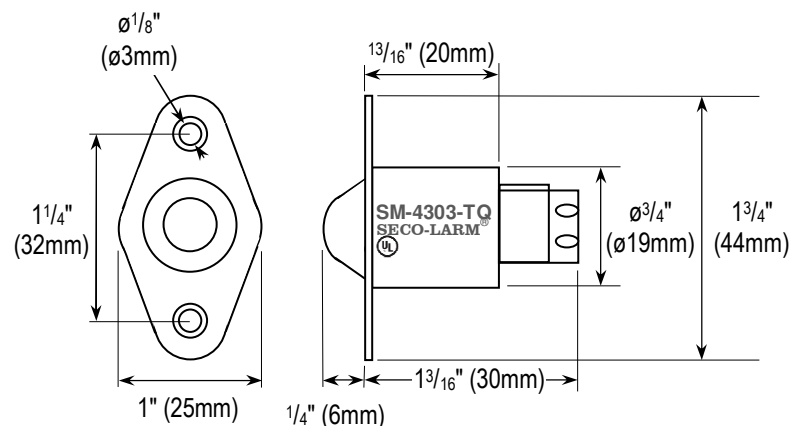
- Used for protecting sliding doors and windows where space is limited
- Magnet and reed switch contained in housing
- Rollerball plunger travel is 1/4" (6mm)
- 360° Rollerball
- Screw terminals
- Contact reed switch is SPST, ruthenium on gold underplating for a longer expected life
- For closed loop circuits
- Spacer and screws included
- Lifetime limited warranty



Specifications:

Loop type	Closed loop
Electrical configuration	N.O. (SPST)
Switch type	Plunger
Switch travel	1/4" (6mm)
Connectors	Screw terminal
Color	White
Material	High-impact ABS plastic
Contacts	Ruthenium on gold underplating
Contact rating	0.1A@100VDC (max.)
	1.0A@10VDC (max.)
	10W (max.)
Temperature	-15°~160° F (-25°~70° C)
Switch cycles	50 Million (0.1mA@5VDC)
Dimensions	1 3/4"x1"x1 3/16" (44x25x30 mm)
Magnet	Rare-earth neodymium

Dimensions:



SECO-LARM® U.S.A., Inc.

16842 Millikan Avenue, Irvine, CA 92606

Phone: (949) 261-2999 | (800) 662-0800 Fax: (949) 261-7326

Website: www.seco-larm.com Email: sales@seco-larm.com



Copyright © 2018 SECO-LARM U.S.A., Inc. All rights reserved. All trademarks are the property of SECO-LARM U.S.A., Inc. or their respective owners. The SECO-LARM policy is one of continual development. For that reason, SECO-LARM reserves the right to change prices and specifications without notice. SECO-LARM is not responsible for misprints.

SECO-LARM® ENFORCER® CRIMEBUSTER® CBA® SLI®

PL_SM-4303-TQ_180907.docx