

# UBL-1110

## UNIVERSAL BRACKET.

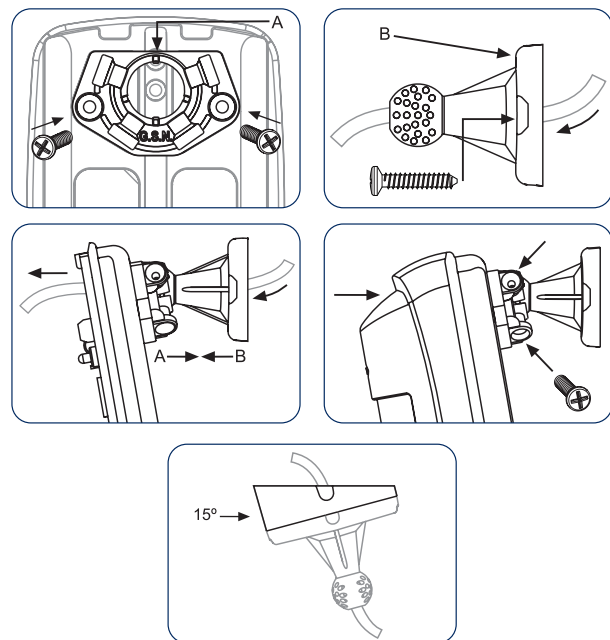
**UBL-1110** – is a universal bracket for installing any type of PIR detectors, corner or wall mounted.

A distinguishing feature of the bracket is an inner duct for the wire, which allows to run the wire through the bracket and to connect the wires to the terminal block of PIR detector.

The construction of the bracket simplifies the installation of the devices and allows the precise angle adjustment.

## BRACKET FEATURES:

- Different installation possibilities
- Precise detector adjustment
- Inner wire duct
- Attractive design
- High quality
- Convenient Price



Inner wire duct

Component B is mounted to the wall with two screws.



Component A is mounted to the back of the detector's housing with two screws.

An additional adaptor is used for the corner installation of the detector.



## LOOK DOWN ZONES

1. Move the PCB of the detector into position B.
2. Mount the **PATROL** detector onto the bracket at an angle of 10-15°.

In the current configuration lens diagram remains the same and the look down zone is enlarged.

